



ABRASION/MECHANICAL

TCP Cutter

Product Highlights

- Heated blade for a clean cut through synthetic braided monofilament
- Optimum working temperature reached in 15 s
- Can be used continually
- Replacement blades available



TCP Cutter is an appliance with a heated blade specially designed to ensure a clean cut through synthetic monofilament braid.

The blade can reach the optimum working temperature in 15 seconds.

TCP Cutter can be used continually. A red warning signal light will indicate when the machine is under strain.

Packs of 5 replacement blades are available on request.



Our manufacturing sites are certified ISO 9001, ISO/TS 16949, or AS/EN 9100, and ISO 14001

TCPC_10042010

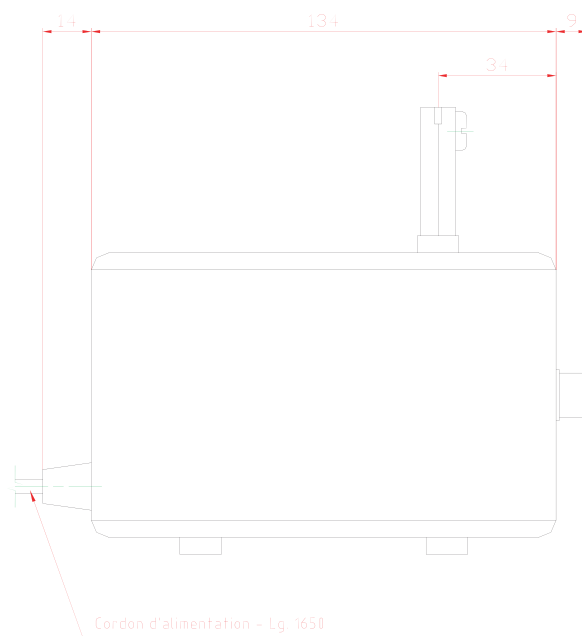
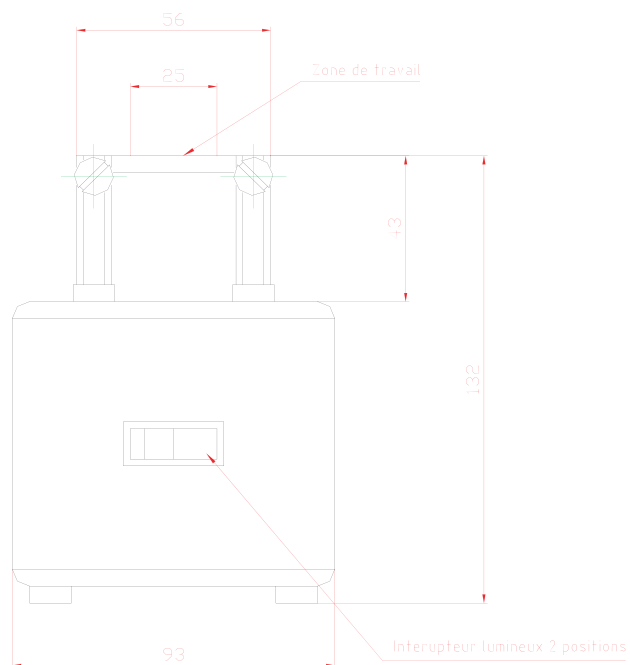
BentleyHarris®
Protection Products

**FEDERAL
MOGUL**
Systems Protection

iS Rayfast

Performance Data – TCP Cutter

Type	Voltage	Frequency	Power	Weight	Dimensions
TCP Cut	220V	50-60 Hz	40 Watts	1.6 Kg	95 x 135 x 135 mm



**FEDERAL
MOGUL**
Systems Protection

Tel: +44(0) 1793616700 • Fax: +44(0) 1793 644304
uksales@is-rayfast.com • export@is-rayfast.com

www.is-rayfast.com

2 Lydiard Fields, Swindon, Wiltshire, SN5 8UB

iS Rayfast